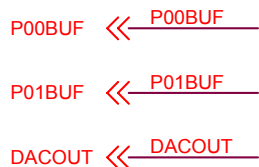
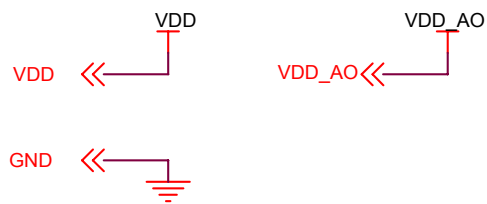
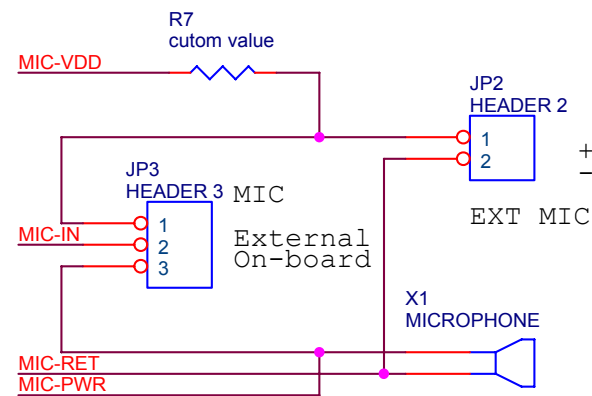
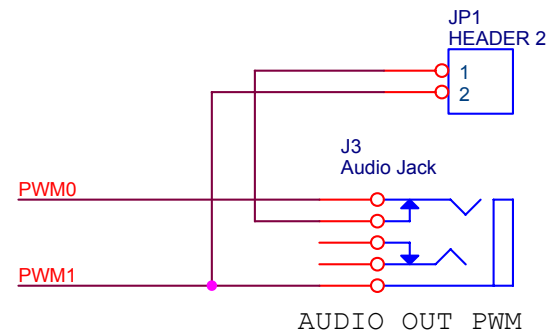
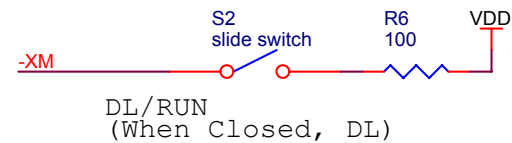
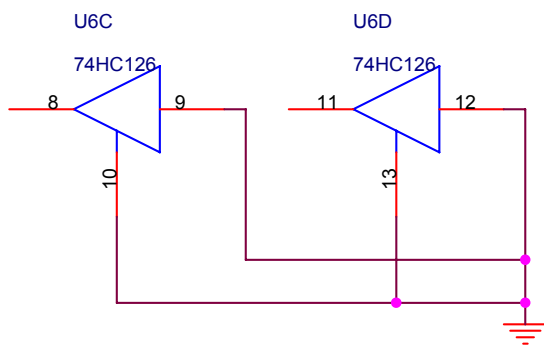
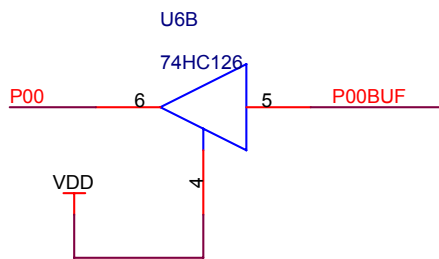
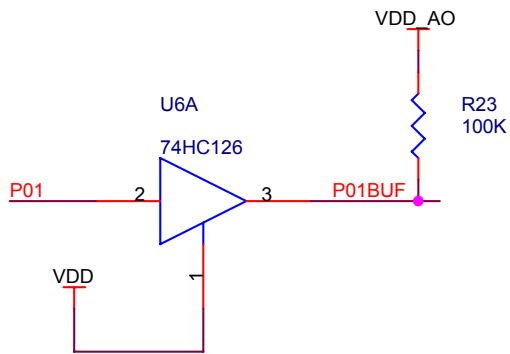
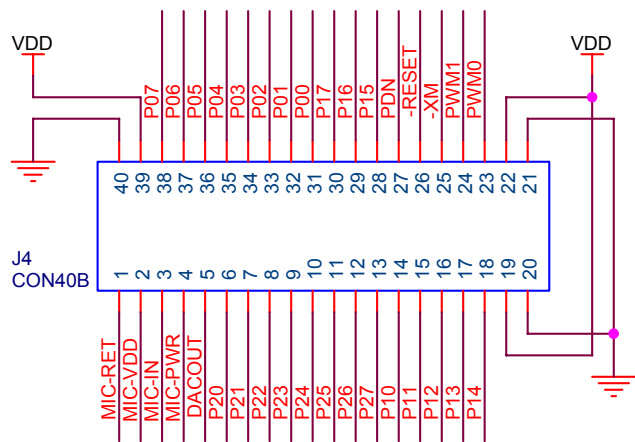
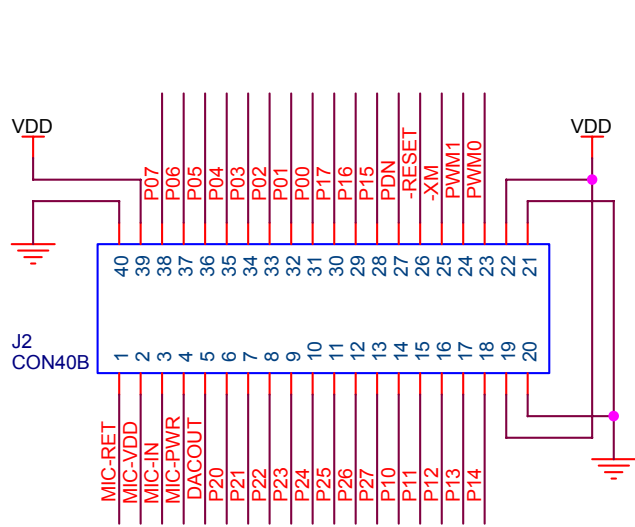
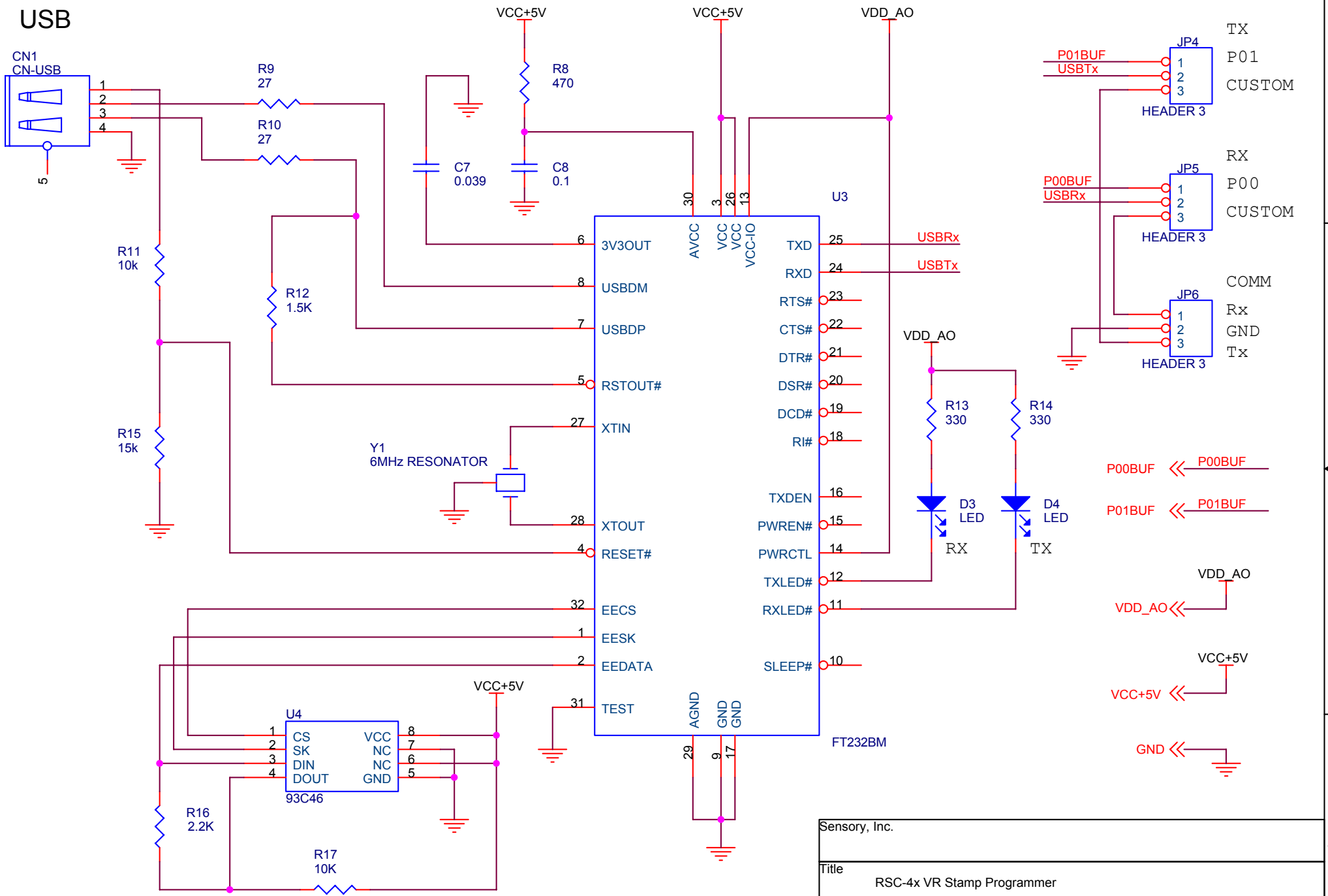


Sensory, Inc.		
Title RSC-4x VR Stamp Programmer		
Size A	Document Number 70-0069	Rev B
Date: Friday, March 18, 2005	Sheet 1	of 4

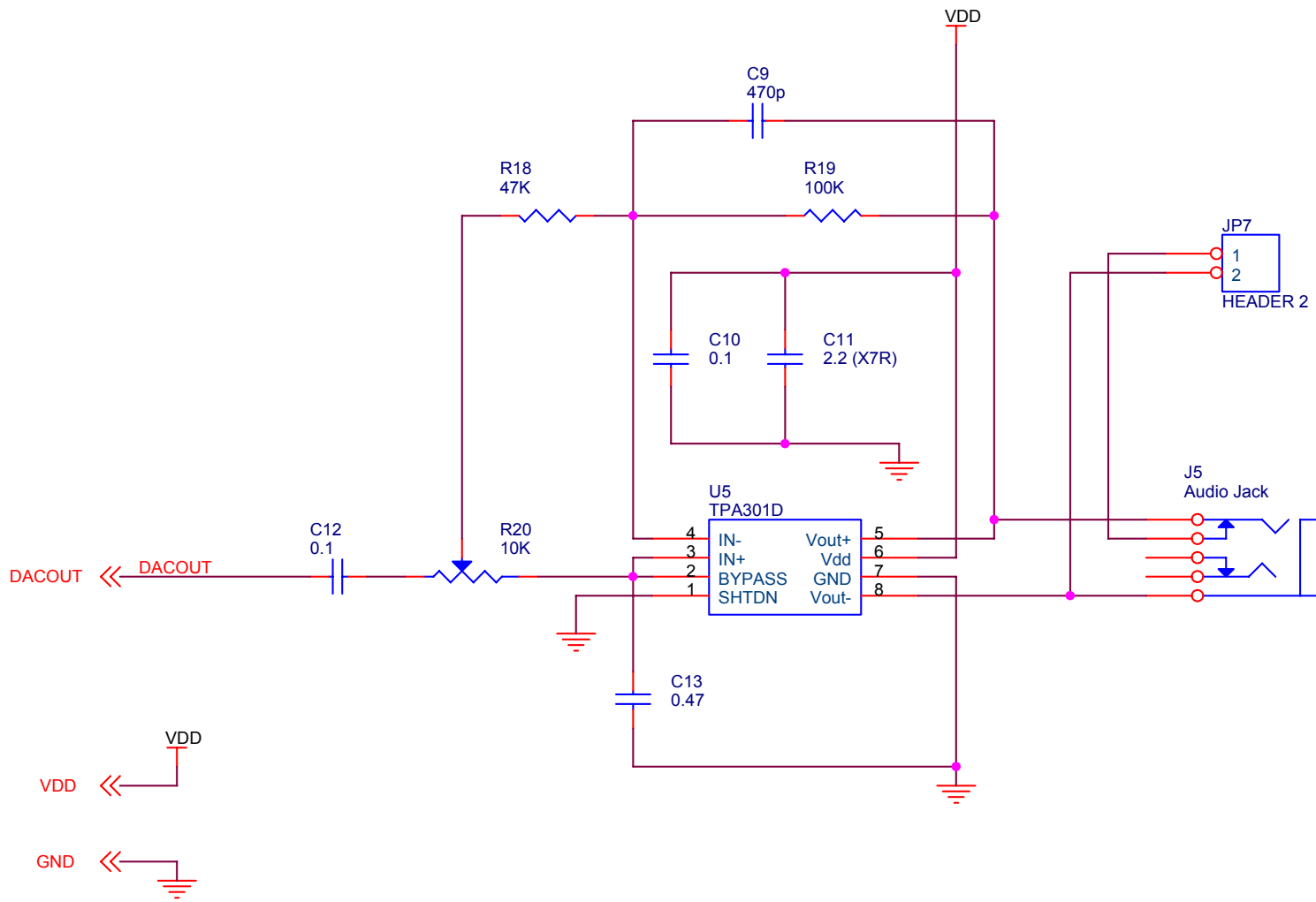


Sensory, Inc.		
Title RSC-4x VR Stamp Programmer		
Size A	Document Number 70-0069	Rev B
Date: Friday, March 18, 2005	Sheet 2	of 4

# USB



Sensory, Inc.		
Title RSC-4x VR Stamp Programmer		
Size A	Document Number 70-0069	Rev B
Date: Friday, March 18, 2005	Sheet 3	of 4



DACOUT <<< DACOUT

VDD <<< VDD

GND <<< GND

Sensory, Inc.		
Title RSC-4x VR Stamp Programmer		
Size A	Document Number 70-0069	Rev B
Date:	Wednesday, March 16, 2005	Sheet 4 of 4